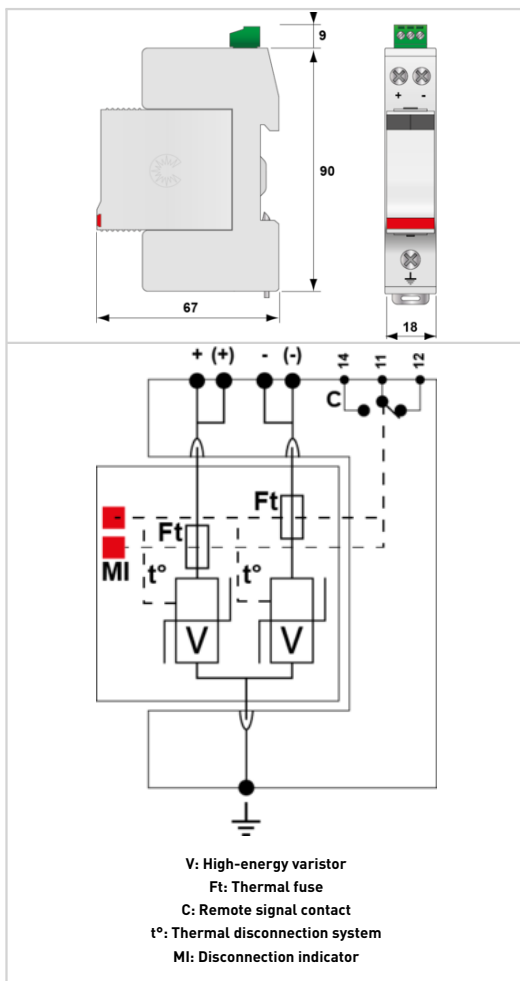




- DC power surge protector
- 130 Vdc
- Compact design
- I<sub>max</sub>: 40 kA
- Pluggable module
- Remote signaling
- Very low U<sub>p</sub> protection level

**Caractéristiques Électriques**

SPD type (following IEC tests)		2
Network		DC or PV network 130Vdc
Nominal DC voltage	Un-dc	130 Vdc
Nominal PV voltage	Uocstc	130 Vdc
Max. AC operating voltage L-N	Uc	150 Vac
Max. PV operating voltage	Ucpv	180 Vdc
Max. DC operating voltage	Uc	180 Vdc
Max. load current	IL	20 A
Residual Current(Leakage current to Ground)	Ipe	< 0.1 mA
PV Permanent Operating current (Current consumption at Ucpv)	Icpv	< 0.1 mA
Follow current	If	None
Nominal discharge current (15 x 8/20 μs impulses)	In	20 kA
Max. discharge current(max. withstand @ 8/20 μs by pole)	I <sub>max</sub>	40 kA
Total Maximal discharge current (max. total withstand @ 8/20 μs )	I <sub>max</sub> Total	80 kA
Current withstand short circuit PV	Iscpv	1000 A
Connection mode(s)		+/-/PE
Protection mode(s)		Common mode

**Caractéristiques Mécaniques**

Technology		MOV
SPD configuration		2 poles
Connection to Network		By screw terminals: 1.5-10mm <sup>2</sup> (actives wires) and 2.5-25mm <sup>2</sup> (ground)
Format		Plug-in modular box
Mounting		Symmetrical rail 35 mm [DIN 60715]
Housing material		Thermoplastic UL94-V0
Operating temperature	Tu	-40/+85°C
Protection rating		IP20
Failsafe mode		disconnection from DC line
Disconnection indicator		2 mechanical indicators
Spare module(s)		DSM240-130DC
Remote signaling of disconnection		Output on changeover contact
Dimensions		See diagram
Weight		0.121 kg

**Déconnecteurs associés**

Thermal disconnector		internal
Fuses		Fuses type gG - 50 A

**Normes**

Standards compliance		IEC 61643-11 / EN 61643-11 / UL1449 ed.4
Certification		UL / EAC

**Code article**

310811

